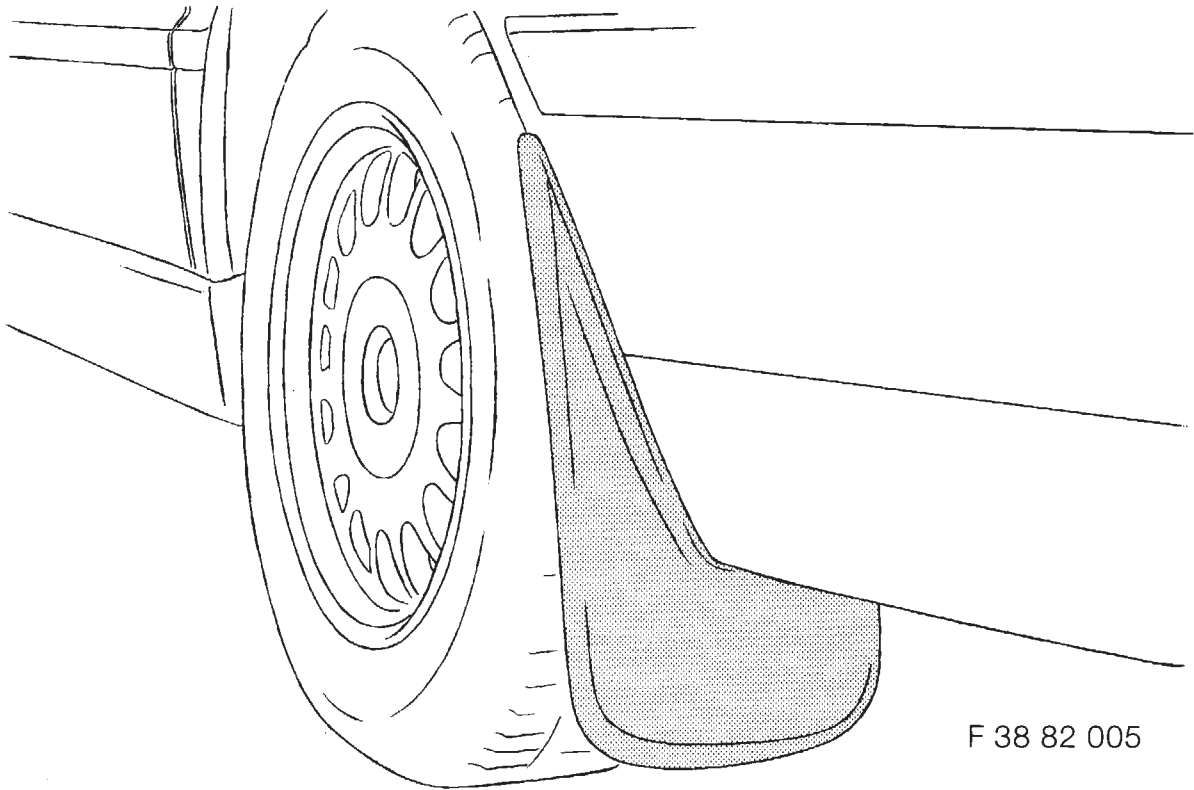




# Zubehör - Einbauanleitung



F 38 82 005

## Installation Instructions

Rear Mud Flap  
BMW 7 Series E38

## Rear Mud Flap BMW 7 Series E38

---

Installation time approx. 10 minutes which can vary depending on the condition and equipment of the vehicle.

The installation procedure is shown on the right-hand side of the vehicle. Installation on the left-hand side of the vehicle takes place in the same order but mirror-inverted.

### **Necessary Tools**

Screwdriver for slotted screws  
Multigrip pliers

### **F 38 82 006**

With the aid of a screwdriver, lever out expanding pin (1) in rear wheel well trim panel.  
Remove body rivet (2) from wheel well trim panel.

### **Note**

Clean place of installation before installing mud flap.

### **F 38 82 007**

Position mud flap exactly in place of installation.  
Fit body rivet (1) through hole (2) of mud flap and into wheel well trim panel. Fit expanding pin (3) in body rivet (1) as far as it will go.

### **F 38 82 008**

Fit socket parts (1) in recesses of mud flap (2).

### **Note**

Fit the short socket part in the topmost of the three recesses.

Pull retaining clip (3) with multigrip pliers over fold of mud flap and into socket part until retaining clip can be felt to engage in position.  
Check that retaining clip (3) is firmly fitted.

