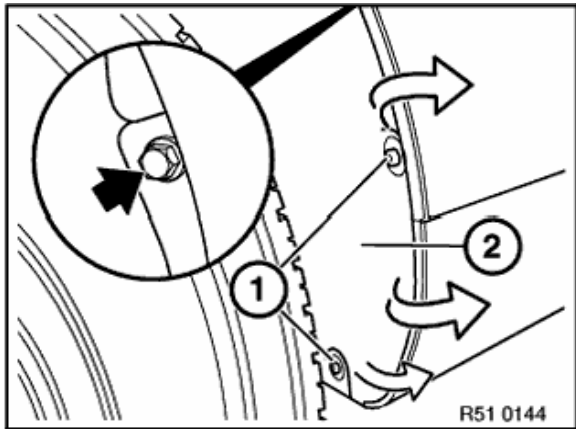
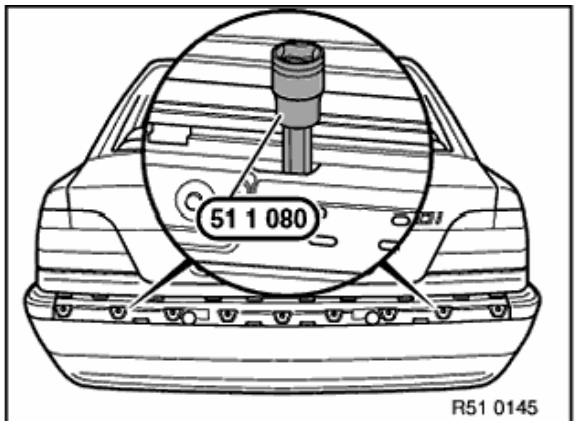


Removing and installing body molding for centre section of rear bumper,
refer to 51 12 432



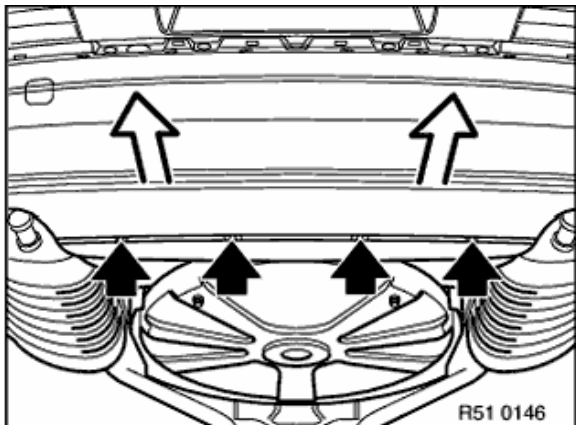
Unfasten screw and left/ right expanding screws (1) and lift out wheel arch finisher (2) to one side.



Unfasten left/ right screw with special tool 51 1 080.

Installation:

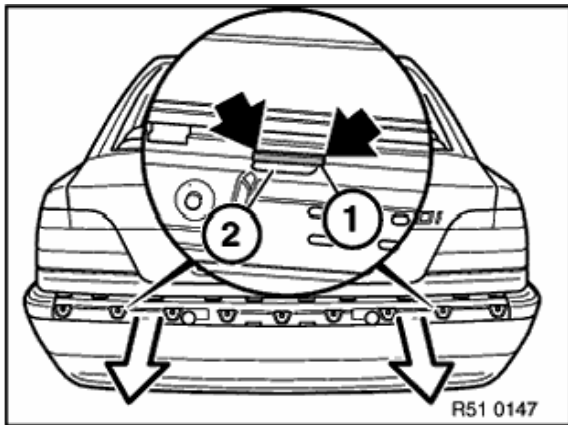
For Tightening torque,
refer to Technical Data 51 12 2AZ



Unclip bumper from underside of guide.

Installation:

Insert bumper and ensure it is correctly seated.



Pull bumper slightly backwards and remove fillister head screw out of bore (2) at oblique angle using bar magnet.

Note:

If it is not possible to extract fillister head screw from bore (2), cut away part of web (1) from concealed area.

Pull bumper backwards with 2nd person to remove.